

# VORTRAN LASER TECHNOLOGY, INC

## STRADUS® LITE — OEM LASER HEAD

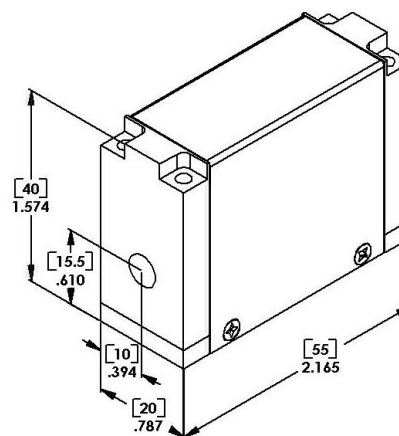
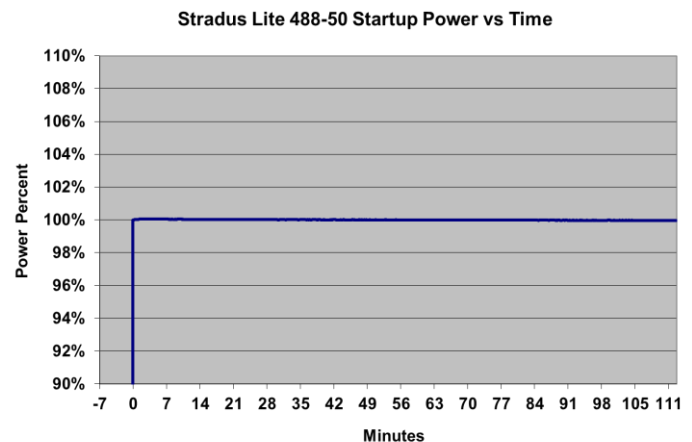
### Low Cost Without Compromise

The Stradus® Lite diode laser module is the economical version of the standard Stradus® laser module. The Stradus® Lite features a much smaller footprint, higher efficiency, and the same excellent performance. It is a CW mode operation only with microprocessor control with no external electronics required. This smaller, cost sensitive solution uses all of the technology from our full featured Stradus® laser modules in the smallest footprint available for a high performance laser module system. Just supply DC current and the Stradus® Lite does the rest.



- **Medical, Biomedical & Industrial**
- **Patented Sealed Optical Cavity**
- **Excellent Beam & Stability**
- **Self-contained & Compact**
- **Low Optical Noise**
- **OEM Head Only**

Wavelength range (nm) Note: Center Wavelength typ. +/-5nm	375 - 785
Power (mW)	5-100
Spatial Mode	TEM <sub>00</sub>
Beam Type	Elliptical (~2:1 or 3:1)
Beam Divergence (mrad)	<1.0
M <sup>2</sup> (typical)	< 1.25
Beam Centration (mm)	< 0.5
Beam Alignment (mrad)	< 5
Pointing Stability (μrad/°C)	< 5
Power Stability (over 24 hours)	< 0.5%
Polarization Orientation	Vertical ±5°
Polarization Extinction Ratio	>100:1
RMS Noise (10Hz to 10MHz)	<0.2%
Input Power (Head)	5V DC, 1.5A (max)
Storage Temperature	-10°C to +60°C
Operating Temperature	+10°C to +45°C
Laser Head Weight	66g
CDRH Class	Class IIIb
ESD Protection	Class 4
RoHS Compliance	EU and China



[www.vortranlaser.com](http://www.vortranlaser.com)  
[sales@vortranlaser.com](mailto:sales@vortranlaser.com)

21 Goldenland Court #200  
 Sacramento, CA 95834  
 Phone 916.283.8208  
 Fax 916.648.9751

