

WHAT'S YOUR WAVELENGTH?

WE'VE GOT THAT!

# ClearCut<sup>29</sup>



**Cut Weld Fabricate**

**Copper Silver Gold Brass Nickel Titanium Stainless Steel**

## DESCRIPTION

The ClearCut Laser Engine is engineered for the demanding needs of copper, silver, and gold cutting, welding, and fabrication. The laser's unique wavelength of 455 nm +/- 5 nm is optimized for maximum absorption. Depending on material, the ClearCut is up to 20 times faster and more efficient compared to traditional cutting lasers. The ClearCut provides better wall-plug efficiency and lower maintenance costs. The ClearCut Laser Engine offers easy integration thanks to its air-cooled architecture. No external water chiller or liquid cooling is required.

Perfectly engineered for automotive, aerospace, and research applications, the ClearCut Laser Engine will reduce your fabrication times, costs, and mistakes. The 400 µm fiber output gives you precise control over the laser, making it ideal for your most demanding applications.

Available in power outputs from 26 Watts to 175 Watts, contact us today for a quote that fits your custom requirements. Don't buy off the shelf products when our partner, Power Technology, can configure the exact ClearCut Laser Engine for your application. Contact MD Innovation Tech GmbH today!

## APPLICATIONS

- Welding
- Cutting
- Fabrication
- Battery Manufacturing
- Entertainment
- Medical
- Optical Pumping

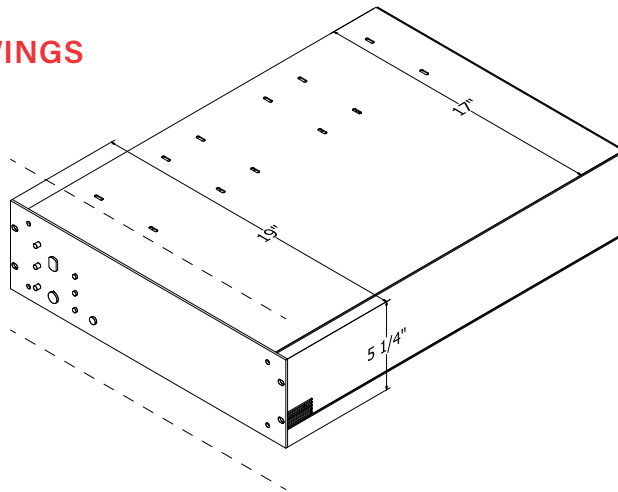
## FEATURES & BENEFITS

- Multiple Power Options
- Perfect Wavelength for Maximum Absorption
- Air Cooled

## SPECIFICATIONS

SPECIFICATIONS	ClearCut26	ClearCut30	ClearCut62	ClearCut100	Clearcut175
Wavelength (nm)	455 +/- 5	455 +/- 5	455 +/- 5	455 +/- 5	455 +/- 5
Modulation (kHz)	0-100	0-100	0-100	0-100	0-100
Output Power (W)	26	30	62	100	175
Deliver Fiber Core Diameter (µm)	400	400	400	400	400
Fiber Length (m)	5	5	5	5	5
Fiber Connector (SMA)	905	905	905	905	905
Supply Current (A)	~6	~6	~6	~6	~6
Supply Voltage (VAC)	110/240	110/240	110/240	110/240	110/240
Operating Temperature (C)	10-30	10-30	10-30	10-30	10-30
Rack Mount Units (Standard 19")	3	3	3	3	3
Size (Inches Depth)	24	24	24	24	24

## MECHANICAL DRAWINGS



## SAFETY INFORMATION

LASER RADIATION  
AVOID EYE OR SKIN EXPOSURE TO  
DIRECT OR SCATTERED RADIATION  
CLASS 4 LASER PRODUCT

## COMPLIANT & REGISTERED



J-STD-001 | 7711/7721 | A-610

