

Product Data

CDR digital *vet*

X RAY SYSTEM



CDR digital *vet*

X RAY SYSTEM

INDEX

Premise	3
Company data and contacts	Errore. Il segnalibro non è definito.
General description	Errore. Il segnalibro non è definito.
Specific description for CDR digital <i>vet</i>	Errore. Il segnalibro non è definito.
Electrical and Radiological features of the Product	Errore. Il segnalibro non è definito.
Mechanical features	Errore. Il segnalibro non è definito.
Weight and Dimensions	Errore. Il segnalibro non è definito.
Labeling	Errore. Il segnalibro non è definito.
Reference Symbols	Errore. Il segnalibro non è definito.
Installation and warranty	Errore. Il segnalibro non è definito.
Notes	15

Premise

This document was created by IBIS in order to provide its customers and / or potential new customers with all the necessary information on the products; the purpose of this document is to group all the technical specifications of each device created by IBIS.

However, it is necessary to take into account that, according to the model chosen, it is possible to use different electrical, mechanical or radiological components which can be listed in the product technical dossier.

In the case of special requests, therefore, we invite you to contact our technical service that will send you all the details and technical specifications related to the configuration you have chosen.

The specifications indicated in this document refer to standard configurations.

IBIS designs and manufactures medical x-ray equipment for both the human and veterinary sectors. The human range includes Mobile Units, complete Radiology rooms, "C" arms for fluoroscopy examinations, Image Intensifiers and portable generators; for the veterinary sector we produce the CDR vet tables used both in multifunctional clinics and in veterinary clinics, "C" arms for clinics and portable units useful for in-field diagnostics or for radiological examinations on large animals.

The company operates worldwide through distributors that provide the end customer with direct technical support; all internal and external technicians are properly trained to solve any hardware and software problems.

The strong points of IBIS are the continuous commitment to develop new products, the relationship with the customer, the great reliability of the products and the technical assistance.

IBIS, as a manufacturer of imaging equipment, is constantly improving its products; we therefore invite you to download the most up-to-date revision concerning the product of your interest from the website www.ibisray.it.

If you need further technical details you can contact our technical department by contacting us by phone or by sending an e-mail to technical@ibisray.it; one of our technicians will answer you and give you all the required details.

Company data and contacts

Below are the references to contact our staff:

IBIS S.r.l.

Headquarters: Via Cascina Bruciata, 3 – Seriate Bergamo – ITALY

Phone: 0039 035 4236343

Sales Department :

sales@ibisray.it

Technical Department :

technical@ibisray.it

Technical Assistance :

service@ibisray.it

Quality Department :

quality@ibisray.it

Administration :

administration@ibisray.it

General Information:

info@ibisray.it



General Description

(Valid for the whole CDR digital vet Range)

CDR digital vet is a radiological table designed for applications and diagnostic investigations in clinics and veterinary facilities.

Ibis uses the same electronics both for the human use equipment and for veterinary equipment, therefore we grant the highest level of performance and reliability; IBIS believes that a product should not have different qualities depending on the reference market; on the contrary, every product must guarantee the user the highest quality standard.

The 4-way floating table, with extremely silent mechanical brakes, allows easy patient positioning. Hygiene is guaranteed by the antibacterial Polyrex coating. The table's rails are made by anodized aluminum to guarantee lightness and allow a firm and comfortable grip.

On the table there are four cleats that can be used in case of patient traction; the quick coupling and release system, which derives from the marine sector, is extremely simple and easy to use, therefore avoids loss of precious time during the analysis phases.



The system is equipped with a black and white touch screen display; there is no optional color display because, in the digital system, the use of the display is almost useless as all the parameters will be modified and managed by the computer on which the acquisition and post processing system is installed.



The footprint of the unit is minimum to be easily installed even in small diagnostic rooms.

A long cable allows the generator to be activated, by means of the double click pedal, at a safe distance according to current safety regulations.

The deactivation of the brakes, which frees the floating movement of the table, automatically turns on the collimator light so as to immediately obtain the portion of the field to be examined.



Regarding the analog to digital conversion, the CDR digital vet is ready to accommodate both systems. The interfacing to a direct panel, to be able to control the generator through the computer, depends on the type of panel used. The direct panels distributed by IBIS are already interfaceable to the analog system; among the brands sold are TOSHIBA, THALES, VAREX and VIEWORKS.

The CDR digital vet series units are available in the following versions:

- CDR vet LP with 3,5 kW generator
- CDR vet HP with 32 kW generator
- CDR digital vet with 32 kW generator

Specific description for CDR digital vet

CDR digital vet uses two types of radiological techniques: two-point with choice of kV and mAs or three points with choice of kV, mA and mS.

All these values, both for two-point and three-point technology, can be viewed on the large touch screen display.

The unit is equipped with an X-Ray insert protection system that activates after 30 minutes of inactivity; this protection guarantees a longer life of the X-ray tube avoiding unnecessary overheating.

CDR digital vet is able to set the radiological values for each type of anatomic and projection selectable in the software, automatically adjusting the generator. The quantity of memorized APR is customizable.

Predisposition for AEC system (automatic exposure control - optional) which includes software and electronic interface card for the control and selection of the cameras, sensitivity and fine-blackening correction. The system AEC it can be integrated with the 240 exams already memorized.

ATTENTION: for the correct use of the equipment refer to the user manual of the product.

Electrical and Radiological features of the Product

CDR digital vet

Electrical and Radiological features of the Product

Generator

Max Power	32 kW large filament– 11 kW small filament
Max Monobloc kV	125 kV
Max Monobloc Current (effective)	400 mA
System frequency	100 kHz
Max Unit Ripple @ max power	≤3%
Total Filtration	> 2,7 mm Al
Inverter Type	HF1 100/2
kV Variation	1 kV
Max mAs	220 mAs (28 Steps)
Step mAs	0,2 / 0,5 / 0,8 / 1 / 1,3 / 1,6 / 2 / 2,5 / 3,2 / 4 / 5 / 6,3 / 8 / 10 / 13 / 16 / 20 / 25 / 32 / 40 / 50 / 63 / 80 / 100 / 130 / 160 / 200 / 220
Operating methods	2 point and 3 point technique
Anatomical Techniques (APR)	Up to 240 APR (B/W disp)

Monobloc

Monobloc Model	E 100R HF
Max Monobloc kV	125 kV
Max Monobloc Current	425 mA
Monobloc thermal capacity	900 kJ - 1200 KHU
Monobloc continuous heat dissipation	60 W
Available heat storage (X-Ray)	600 kJ – 800 KHU
Monobloc Ripple @ max power	1%

X-Ray tube

Insert Model	IAE X22C	Kailong KL65
Filaments Dimensions	0,6 – 1,3 mm	0,6 – 1,3 mm
Tube type	Rotating anode	Rotating anode
Anode Speed	3000 rpm	3000 rpm
Anode Angle	15°	15°
Max Insert heat capacity	80 kJ - 107 KHU	80 kJ - 107 KHU
Max Insert Dissipation	300 W	300 W

Power supply Characteristic

Main power supply	Single phase, 230 Vac +/-10%
Frequency	50/60 Hz
Max current absorption	0,5 A standby; 230 Vac - 12 A impulsive

CDR digital vet
Collimator Features

Model *	RALCO R104
Shutters	2 pairs of movable leaded shutters + fixed extra focals
Light	High intensity LED 250 lux at 100 cm, with ON/OFF temporization at 30 sec. (standard).
Dimensions	271x222x140 mm
Field	Single plane square field, variable from 0x0 cm to 43x43 cm @ 100 cm DFF
Light beam angle	24°
Minimum Inherent filtration	2 mm Al Equivalent
Additional Filtration (Optional)	RO258 = Al + (0,1 mm Cu / 0,2 mm Cu / 2 mm Al) RO258/1 = Al + (0,1 mm Cu / 0,2 mm Cu / 0,3 mm Cu)

*Also available R108 or R221. For further details contact technical@ibisray.it

CDR digital vet
Operative Features

User Interface	Touch screen (also working with work gloves) backlit and high contrast for the immission of all parameters and for the display of any error messages or system anomalies.
Camera DAP	yes (optional)
Automatic Shutdown	Automatic shutdown after 30 minutes of inactivity to prevent filament damage due to overheating.
X-Ray Foot pedal	Two step with cable.
Safety Features	<ul style="list-style-type: none"> • Automatic protection and control of the filament current • Overcurrent and overvoltage protection • X-ray tube Overload protection • Indications of operational errors or malfunction

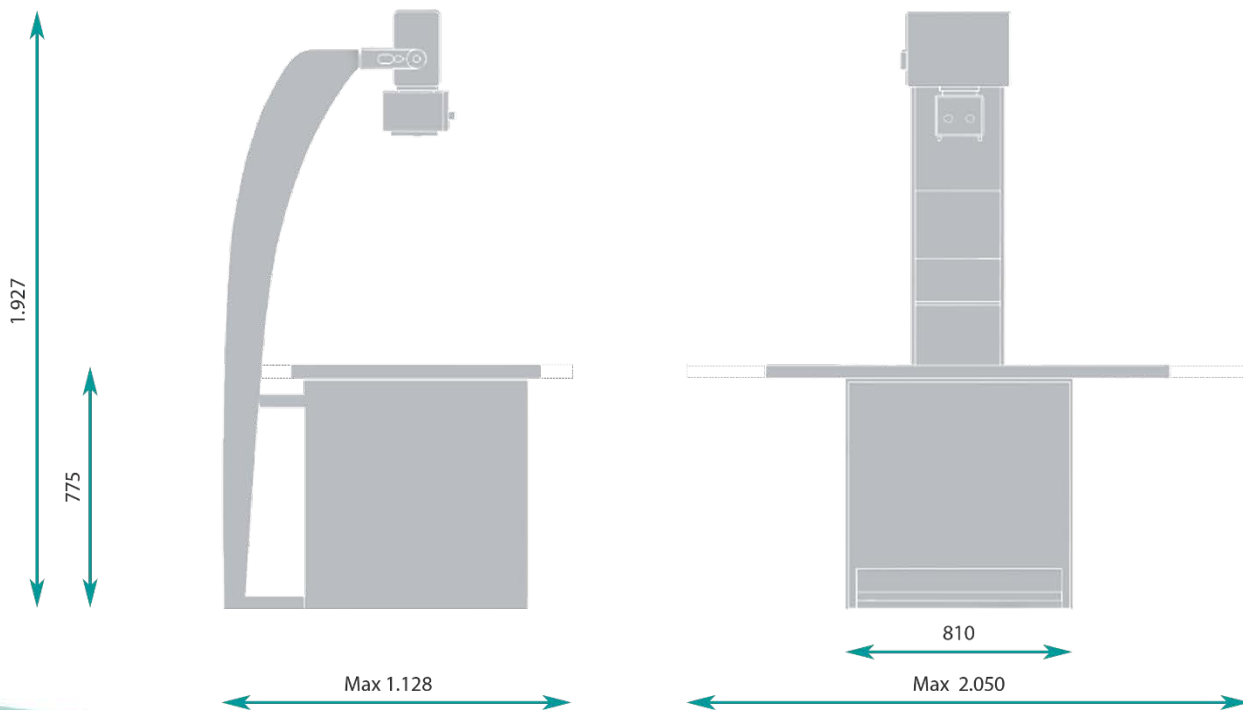
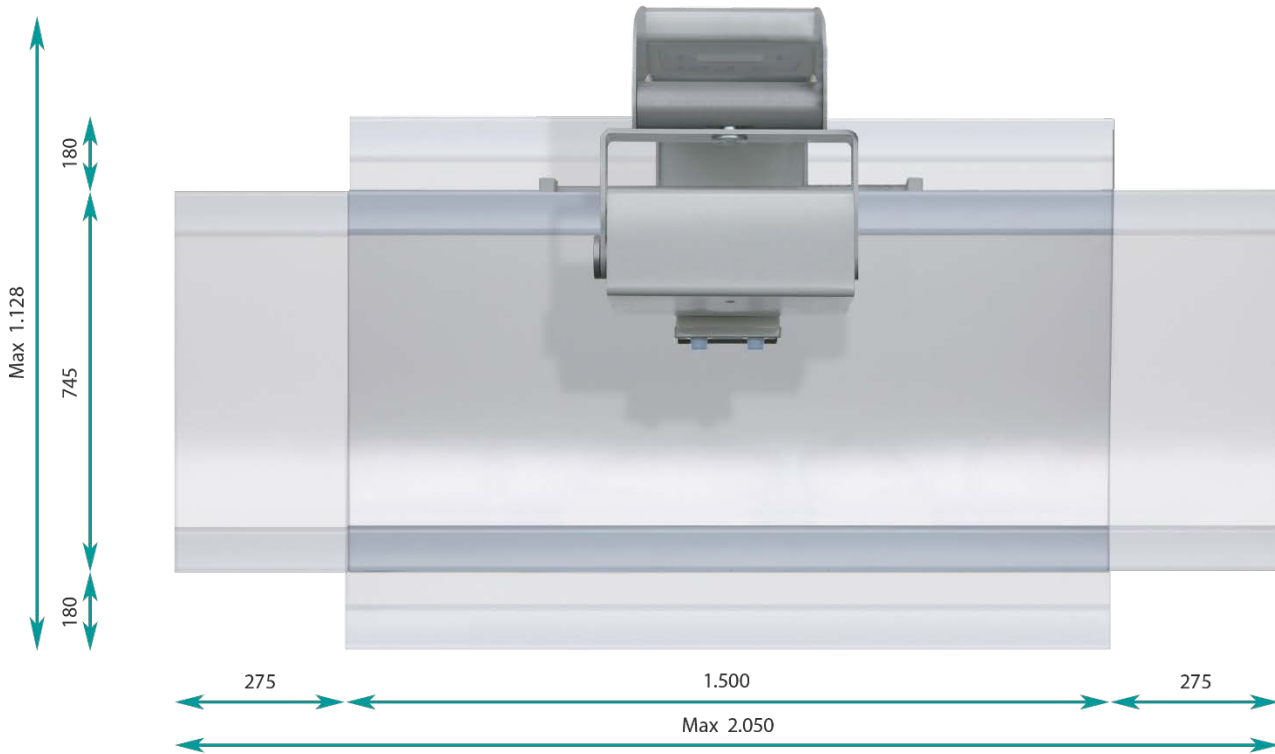
Mechanical features

CDR vet HP

Mechanical Features

Patient panel	4-way floating
Max load weight on patient panel	120 kg
Max width – including lateral movements	2050 mm
Max depth – including longitudinal movements	1128 mm
Height	1927 mm
S.I.D.	1000 mm
Table length	1500 mm
Table depth	745 mm
Ground to table height	775 mm
Table brake system	Mechanical
Weight	230 kg (<i>w/o optional</i>)

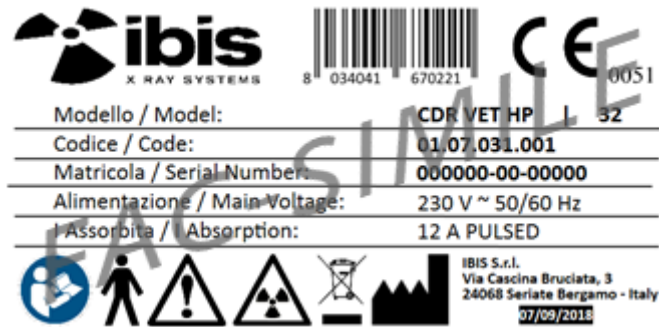
Weight and Dimensions



Misure espresse in millimetri - Peso complessivo dell'apparecchiatura 230 kg
 Measurements expressed in millimeters - Total weight of the unit 230 kg

Labeling

Example of the label used on the unit CDR digital vet and its usual placement.



Label positioning is shown below. A further label is applied inside the unit close to the inverter one.



Reference Symbols



CONSULT THE ANNEXED DOCUMENTATION



CLASS B EQUIPMENT (NORM EN60601-1)



ATTENTION



SYMBOL OF DANGER IONIZING RADIATIONS - PHYSIOLOGICAL EFFECTS



DEVICE THAT REQUIRES A CORRECT DISPOSAL (2012/19 / EC)



MANUFACTURER



CE MARKING COMPLYING TO DIRECTIVE 93/42 / EEC AND SUBSEQUENT AMENDMENTS AND INTEGRATIONS

Installation and warranty

CDR digital vet must only be installed by properly trained IBIS authorized personnel.

Each device produced or sold by IBIS has one year warranty from the date of shipment unless otherwise agreed between IBIS and the Customer.

It is possible to extend the contractual warranty according to the necessary terms.

The warranty conditions are detailed in the General Conditions of Sale of IBIS in force on the date of purchase of the product.

Notes

All information contained in this document is confidential and its disclosure, even partial, is forbidden without due notice and authorization by IBIS S.r.l..

IBIS relieves itself from any responsibility for the unlawful or improper use of its products.

Any information or technical detail included in this document is subject to change; IBIS reserves the right to modify, add, delete parts / details of this document without prior notice and without prior authorization. IBIS has no obligation to communicate any changes to this document.

For any information not indicated in this document, please contact IBIS S.r.l. to the references indicated on page 4.